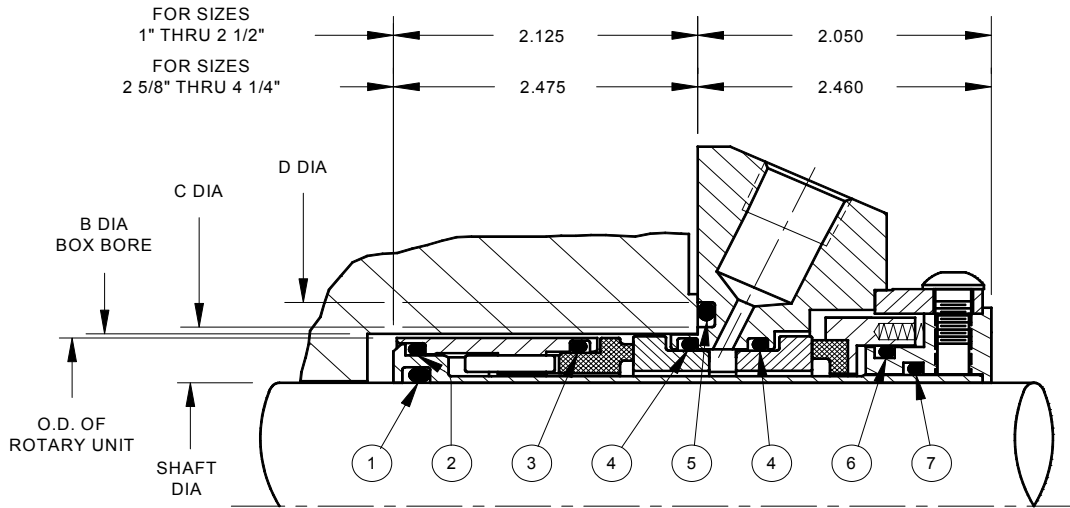


AST 80 DUAL CARTRIDGE SEAL

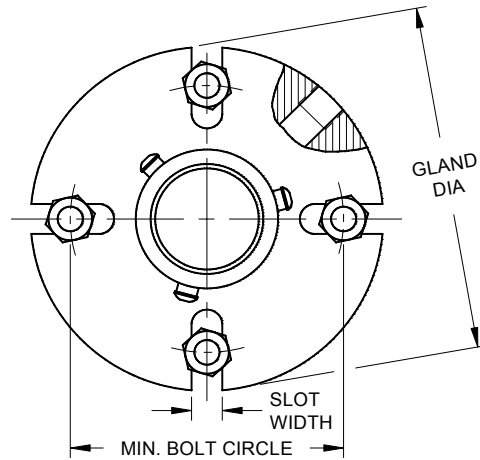


SHAFT SIZE	ROTARY O.D.	B DIA MIN	C DIA	D DIA	O-RING SIZES						
					1	2	3	4 (x2)	5	6	7
1.000	1.69	1.750	1.88	2.25	214	126	128	128	226	126	122
1.125	1.81	1.875	2.00	2.38	216	128	130	130	227	128	124
1.250	1.94	2.000	2.13	2.50	218	130	132	132	228	130	126
1.375	2.06	2.125	2.25	2.63	220	132	134	134		132	128
1.438	2.19	2.250	2.38	2.75	221	134	136	136	230	134	130
1.500	2.19	2.250	2.38	2.75	222	134	136	136	230	134	130
1.625	2.31	2.375	2.50	2.88	223	136	138	138	231	136	132
1.750	2.44	2.500	2.63	3.00	224	138	140	140	232	138	134
1.875	2.56	2.625	2.75	3.13	225	140	142	142	233	140	136
2.000	2.69	2.750	2.88	3.25	226	142	144	144	234	142	138
2.125	2.81	2.875	3.00	3.38	227	144	146	146	235	144	140
2.188	2.94	3.000	3.13	3.50	228	146	148	148	236	146	142
2.250	2.94	3.000	3.13	3.50	228	146	148	148	236	146	142
2.375	3.06	3.125	3.25	3.63	229	148	150	150	237	148	144
2.500	3.19	3.250	3.38	3.75	230	150	151	151	239	150	146
2.625	3.54	3.625	3.75	4.13	231	235	236	236	241	235	233
2.750	3.66	3.750	3.88	4.25	232	236	237	237	242	236	234
2.875	3.79	3.875	4.00	4.38	233	237	238	238	243	237	235
3.000	3.91	4.000	4.13	4.50	234	238	239	239	244	238	236
3.125	4.04	4.125	4.25	4.63	235	239	240	240	245	239	237
3.250	4.16	4.250	4.38	4.75	236	240	241	241	246	240	238
3.375	4.29	4.375	4.50	4.88	237	241	242	242	247	241	239
3.500	4.41	4.500	4.63	5.00	238	242	243	243	248	242	240
3.625	4.54	4.625	4.75	5.13	239	243	244	244	249	243	241
3.750	4.66	4.750	4.88	5.25	240	244	245	245	250	244	242
3.875	4.79	4.875	5.00	5.38	241	245	246	246	251	245	243
4.000	4.91	5.000	5.13	5.50	242	246	247	247	252	245	244
4.500	5.41	5.500			246	250	251	251		250	248



ADVANCED SEALING TECHNOLOGY DIMENSIONAL DATA

BOLT CIRCLE AND SLOT WIDTH AST 70 & 80 SEALS



SHAFT SIZE	GLAND DIA	Minimum Bolt Circle (by Bolt Size)				SLOT WIDTH
		3/8"	1/2"	5/8"	3/4"	
1.000	4.09	2.87	---	---	---	.44
1.125	4.22	2.87	---	---	---	.44
1.188	4.34	3.12	---	---	---	.44
1.250	4.34	3.12	---	---	---	.44
1.375	4.47	3.25	---	---	---	.44
1.438	4.97	3.36	3.48	---	---	.56
1.500	4.97	3.36	3.48	---	---	.56
1.625	4.97	3.50	3.62	---	---	.56
1.688	5.47	3.75	3.87	---	---	.56
1.750	5.47	3.75	3.87	---	---	.56
1.875	5.47	3.75	3.87	---	---	.56
1.938	5.47	3.87	4.05	---	---	.56
2.000	5.47	3.87	4.05	---	---	.56
2.125	5.97	---	4.25	4.37	---	.69
2.188	6.22	---	4.50	4.62	---	.69
2.250	6.22	---	4.50	4.62	---	.69
2.375	6.22	---	4.62	4.75	---	.69
2.438	6.98	---	4.87	5.00	---	.69
2.500	6.98	---	4.87	5.00	---	.69
2.625	7.63	---	5.30	5.43	---	.69
2.750	7.75	---	5.50	5.62	---	.69
2.875	7.88	---	5.62	5.75	---	.69
3.000	8.00	---	5.75	5.87	---	.69
3.125	8.13	---	5.37	6.00	---	.69
3.250	8.25	---	6.00	6.12	---	.69
3.375	8.38	---	6.12	6.25	---	.69
3.500	8.50	---	---	6.37	6.50	.81
3.625	8.63	---	---	6.50	6.62	.81
3.750	8.75	---	---	6.62	6.75	.81
3.875	8.88	---	---	6.75	6.87	.81
4.000	9.00	---	---	6.87	7.00	.81

0105