

- All brands, types and sizes
- Pick up and delivery
- Factory trained technicians
- On site installation & repairs
- Licensed electrician/contractor
- Certified pump performance testing



LIQUID PUMPS

All Prime

Self Priming Trash Pumps

American-Marsh

Multi-Stage, Vertical Turbine

AMT

Self Priming & Engine Driven

Aurora

Centrifugal, Double Suction, Boiler Feed, Fire Pumps

Barnes

Dewatering, Effluent, Sewage

Berkeley/Sta-Rite

Self-Priming, Close Coupled,

BJM

Non Clog, Shredder and Dewatering, Stainless Steel Submersibles

Burks

Regenerative Turbine, End Suction

Brown & Sharpe

Rotary Coolant Pumps

Cat

Piston Plunger Pumps

Corcoran

Corrosion Resistant Pumps

Crown

Self Priming Solids Handling

Deming

Split Case, Sump, Sewage, Turbines, End Suction

Ebara

Centrifugals, Submersibles

Fairbanks Morse

Submersible, Vertical Turbine, Split Case, Vortex, Chopper

Griswold

ANSI Process Pumps

Grundfos

Vertical Multi-Stage

Haynes

Vertical and Horizontal Process Pumps

Hydra-Cell

Wobble Plate Diaphragm

Hydroflo

Vertical Turbine Pumps

Hydromatic

Submersible, Selfing-Priming

Kerr

Vertical Process, Sump, Sewage, Turbine Pumps

LIQUID PUMPS

Larox

Peristaltic Hose Pumps & Valves

Layne Vertiline

Vertical Turbine, Mixed Flow and Propeller Pumps

Little Giant

Small Submersible Pumps

LMI

Chemical Feed Pumps

Magnum/C.H.&E.

Engine Driven Trash Pumps

Marlow

Self-Priming, Engine Driven

MP

Centrifugal, Self-Priming and Hot Oil Pumps

Netzsch

Progressive Cavity and Lobe Pumps

Pacer/Sethco/Serfilco/Webster

Corrosion Resistant Pumps

Price

Close Coupled, Mag Drive

Prosser

Dewatering

Richter

Mag Drive Chemical Process PFA / PTFE / PE - Lined

Roth

Regenerative Turbine, Condensate Return Systems

Scot

End Suction & Vertical

Stenner

Peristaltic Metering Pumps

Teikoku-Chempump

Canned Motor Pumps

Thermo Fisher Scientific

Peristaltic Hose Pumps

Top Line

Sanitary Pumps & Fittings

Tramco

Vertical Sump, Condensate

Verderflex

Peristaltic Hose & Tube Pumps

Versa-Matic

AODD Pumps

Viking

Rotary Gear, Lobe, Mag Drive Pumps, Basket Strainers, Duplex Fuel Oil Systems

LIQUID PUMPS

Wastecorp

Plunger Pumps

Weinman

End Suction, In-Line, Split Case,

Wilden/Warren-Rupp/All-Flo

AODD Pumps

Wright

Replacement Pumps and Parts for Waukesha Sanitary Centrifugal Pumps

MISCELLANEOUS

Amtrol/Wheatley/Wessels

Hydronic Specialties, Expansion Tanks, Custom ASME Tanks

Cleveland Pump Repair

Large Pump, Blower, Gear Box Repairs

Dynamix Agitators

Tote & Tank Mixers

Electric Motors

Popular Brands, All Types 1 & 3 Phase, AC & DC

JWC Environmental

Hopper Fed & In-Line Grinders

Kerr Controls Division

Control Panels, UL Listed 508A, 698A, VFD, Programmable

Kerr Packaged Systems

Water Boosters, Seal Water Supply, Chemical Feed

Pentair Industrial

Krystil Klear-Bag Filters Ametek-Cartridge Filters Pentek-Cartridge Filters

PEP Filters

Sand Filters, Cyclone Separators, Automatic Back-Washing Disc Filters

Proquip / Sharpe

Mixers to 300 Horsepower

Smith and Loveless

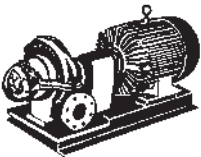
Above Ground Pump Stations, Packaged Treatment Plants

SyncroFlo

Domestic Water Booster Pump Systems

Oil

Premium Grades for Vacuum and Rotary Pumps, P.D. Blowers



**REPAIR
AND
SERVICE**

- All brands, types and sizes
- Pick up and delivery
- Factory trained technicians
- On site installation & repairs
- Licensed electrician/contractor
- Certified pump performance testing

VACUUM/BLOWER EQUIP.

Busch

Vacuum Pumps, Blowers and Systems

Elektror

Centrifugal & Regenerative Blowers

Fuji

Centrifugal & Regenerative Blowers

All Star Blowers

Regenerative Blowers

Anest Iwata

Dry Scroll Vacuum Pumps

Tuthill (M-D Pneumatics)

Positive Displacement Blowers and Vacuum Boosters

Vortron

Centrifugal Blowers and Air Knives

Miscellaneous

Filters, Oil, Silencers, Separators, Relief Valves, Check Valves, Gauges

Packages

Vacuum Pump and Blower Packages Including Accessories

Champion Air Compressors

Reciprocating, Rotary Screw, Rotary Vane

HEAT TRANSFER

Alfa Laval

Plate and Frame, Spiral, Brazed, Welded Heat Exchangers

Kerr Thermal

Shell and Tube Heat Exchangers, Replacement Tube Bundles - All Makes

Xchanger

Air to Air, Air to Liquid, Tank Vent Condensers

Fluid Chillers, Inc.

Custom Industrial Process Chillers, Portable and Stationary

Thermal Transfer

Shell and Tube Heat Exchangers

Delta Cooling Towers

Corrosion-Proof Cooling Towers

Omega Thermal Products

Clamp on, Immersion coils, Steam or Cooling

REPLACEMENT PARTS

All Prime

Replacement Parts for Gorman Rupp "T" & "U" Series Pumps

AST

Mechanical Seals

Fairbanks Morse

Replacement Parts & Pumps for Wemco Pumps

Griswold

Replacement Parts and Pumps for Goulds and Peerless A.N.S.I. Design

Liberty Process Equipment

Replacement Parts for Progressive Cavity Pumps, All Brands

Pumper Parts

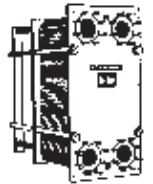
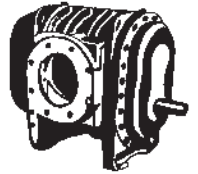
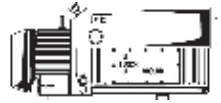
Replacement Parts for AODD Pumps

Solberg

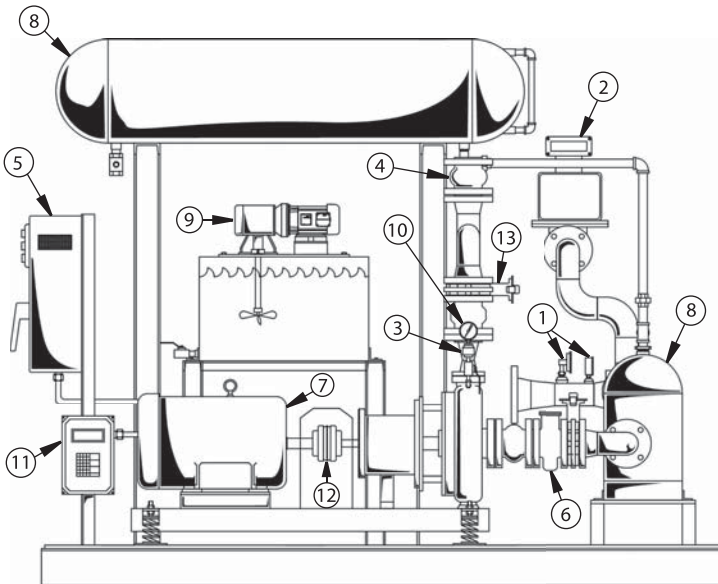
Filters for Blowers, Compressors and Vacuum Pumps

Wright

Replacement Parts for Waukesha Sanitary Pumps



PACKAGED SYSTEMS



EQUIPMENT LIST

ITEM	DESCRIPTION	ITEM	DESCRIPTION	
1	INSTRUMENTATION • FLOW • LEVEL • PRESSURE • TEMPERATURE	7	MOTORS • ALL MAKES & MODELS	
		8	HYDRONIC SPECIALTIES • TRIPLE DUTY VALVES • AIR SEPARATORS • SUCTION DIFFUSER • EXPANSION TANKS	
			9	MIXERS • PORTABLE TOP ENTRY MIXERS
			10	GAUGES • INDUSTRIAL GAUGES • PRESSURE & VACUUM
2	LIQUID CONTROLS • MASS FLOW • MAG • TURBINE FLOW METERS	11	MAGNETEK • VARIABLE FREQUENCY DRIVES	
3		SENTINEL • GAUGE ISOLATORS		
		12	TB WOODS • COUPLINGS	
4	KEFLEX • PUMP CONNECTORS • EXPANSION JOINTS • VIBRATION ISOLATORS	13	VALVES • CHECK • BUTTERFLY • BALL • PRESSURE REDUCING	
5			CONTROL PANELS • CUSTOM CONTROL PANELS	
6	FILTERS • BAG & CARTRIDGE • BASKET STRAINERS			

Feb. 2015

Visit our Website www.kerrpump.com

E-Mail: sales@kerrpump.com

12880 Cloverdale Ave. • Oak Park, Michigan 48237 • Tel: (248) 543-3880 • In MI (800) 482-8259 • Fax: (248) 543-3236
Grand Rapids, Michigan • Tel: (616) 698-2808

