



KERR PUMP AND SUPPLY
12880 Cloverdale P.O.Box
37160

Tel. 248.543.3880
Toll Free 1.800.482.8259
Fax. 248.543.3236
E-mail. sales@kerrpump.com
Web www.kerrpump.com

5180 Vertical Process Pumps



Kerr Pump and Supply, established in 1905 and located in suburban Detroit, is the most respected name in vertical process pumps. Kerr's innovative, heavy duty, time-proven design combines advanced hydraulic engineering with mechanical craftsmanship to meet a wide range of industrial applications. Each pump is engineered with the objective of performing on a continuous duty operation with the longest possible life and a minimum amount of maintenance.

Kerr's newest offering, Model 5180, maintains the rugged feature laden design of Kerr's standard vertical pumps, at a more economical price. Standard with most units are 300 Series stainless steel liquid ends with high efficiency impellers. These corrosion resistant volutes compare favorably with the cast iron offerings of other suppliers.

Simplicity of design eliminates the need for external impeller adjustment, pump priming, troublesome shaft sealing and the inherent maintenance costs of mechanical seals.

Outstanding quality features included in every Kerr pump contribute to longer pump life. Each component has a machined registered fit at all assembly points to assure positive alignment and vibration free service. Kerr pumps are a sound investment in the best available technology – at no additional cost.

ADVANTAGES

- Always primed
- Minimum maintenance costs
- No stuffing box leakage
- Lower installation costs
- Less space required

APPLICATIONS

- Parts washers
- Spray Systems
- Machine Tools
- Coolants
- General Industrial

CAPABILITIES

- Capacities to 300 GPM
- Heads to 200 feet
- 1750 or 3450 RPM
- Continuous duty operation
- Temperatures to 180°F
- Cast iron and alloy construction
- Flexibility on pump extensions and deliveries

FEATURES

① MOTOR

The motors used are industry standard "TC" frames (special extended shaft motors are not required).

② SHAFT

Heavy duty 1" diameter shaft of corrosion resistant 316 stainless steel sized for optimum pump loads.

③ CASING

300 Series stainless steel formed casings are used to prevent corrosion.

④ IMPELLER

High efficiency fabricated enclosed impellers of 300 Series stainless steel are used (corrosion resistant with no external adjustments required).

⑤ BUSHING

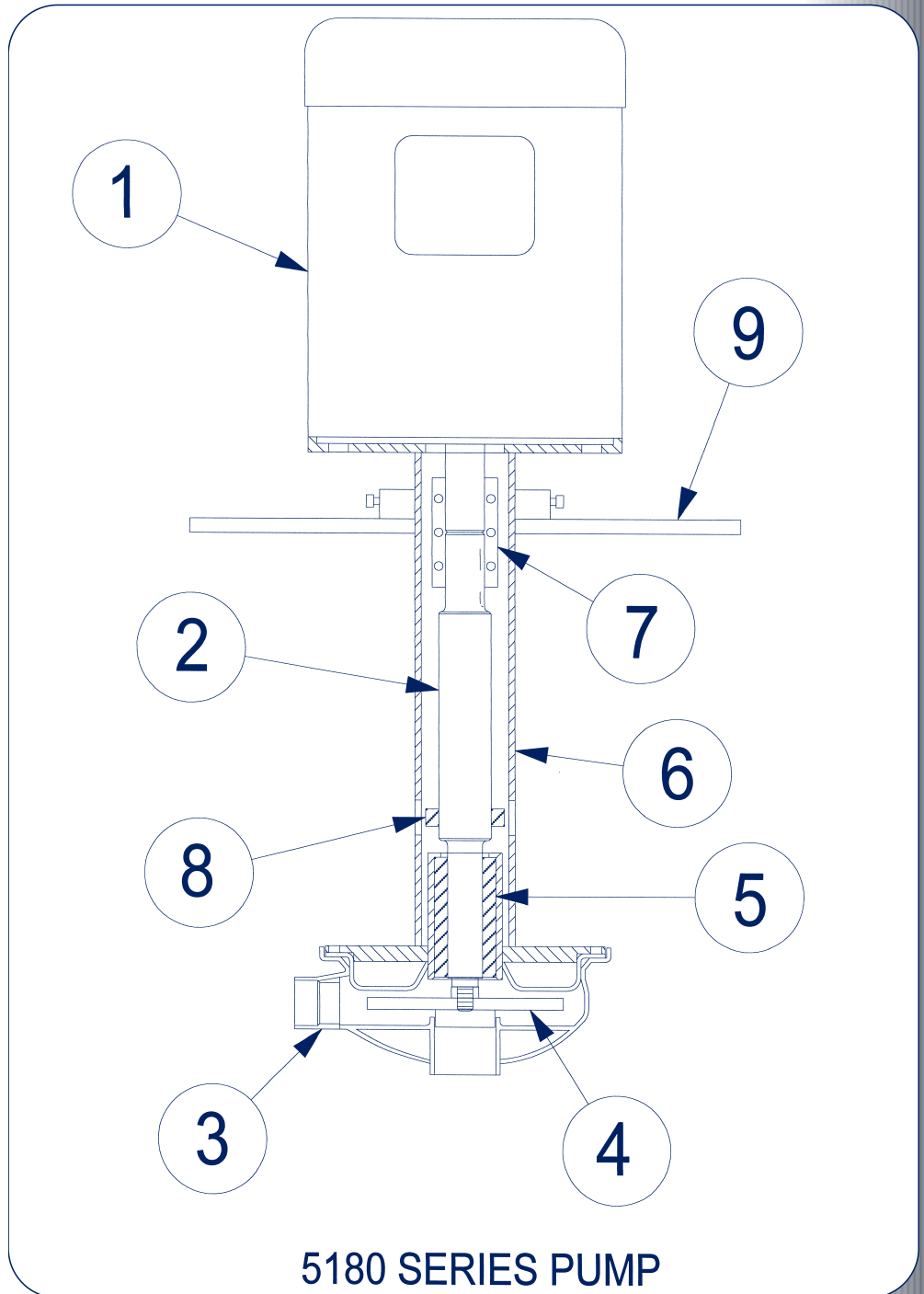
Bearing bushings of carbon graphite or cutlass rubber are used to reduce radial loading.

⑥ COLUMN PIPE

Steel or stainless steel rigid column pipes of standard or special length are available.

⑦ SHAFT COUPLING

A two (2) piece rigid keyed coupling is used between motor and pump shafts for easy assembly/disassembly.

**5180 SERIES PUMP**

⑧ SLINGER

A slinger is used to prevent water build-up in the column pipe.

⑨ COVERPLATE

Adjustable split coverplate insures proper pump setting.