

THE **E91**™

INDUSTRIAL COMPRESSOR SYSTEM

VAPOR RECOVERY COMPRESSOR
FOR PLANT OIL EXTRACTION



MODEL SHOWN E91-103



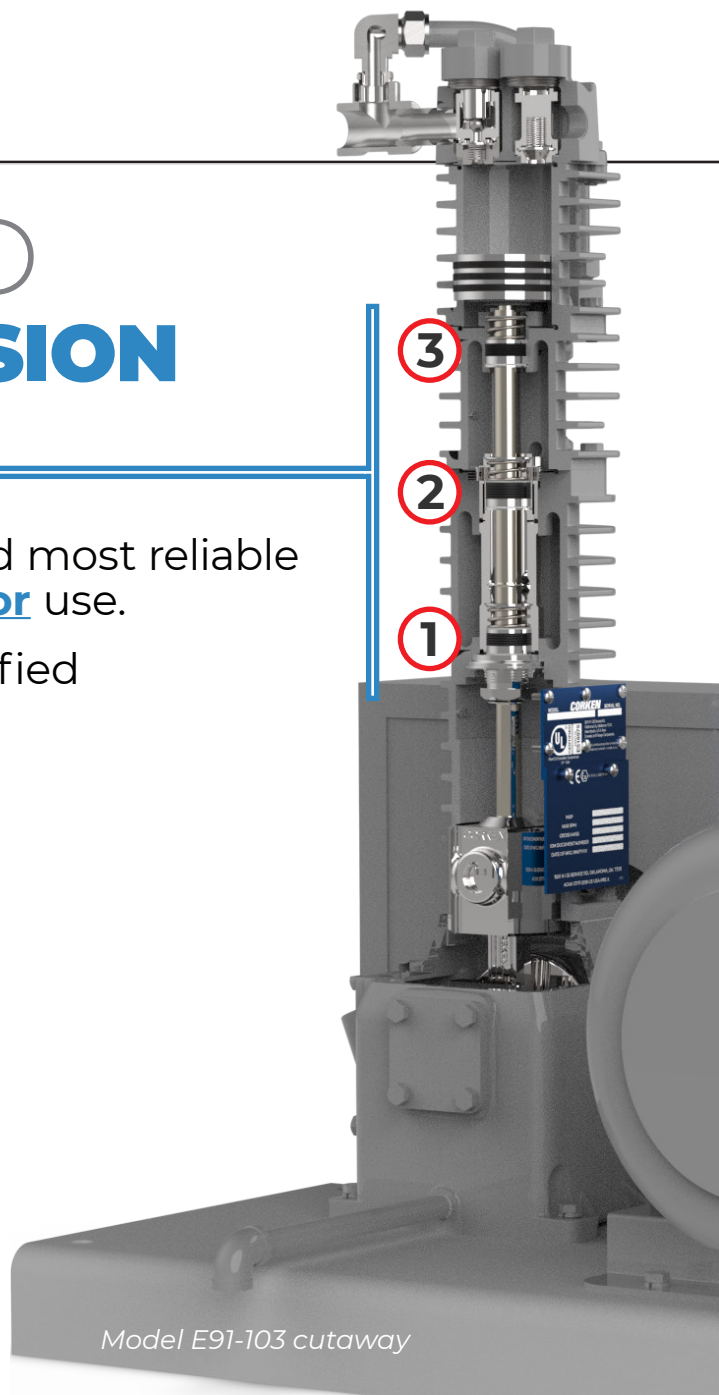
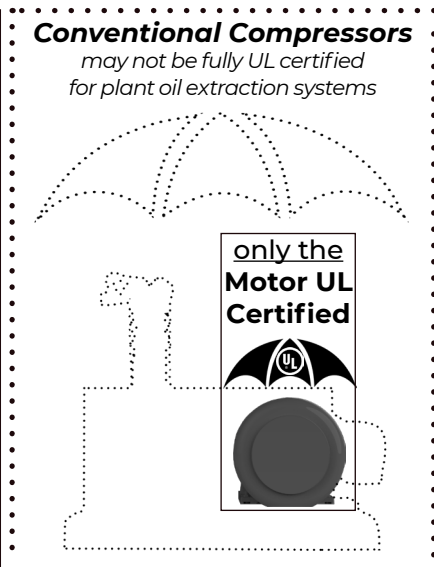
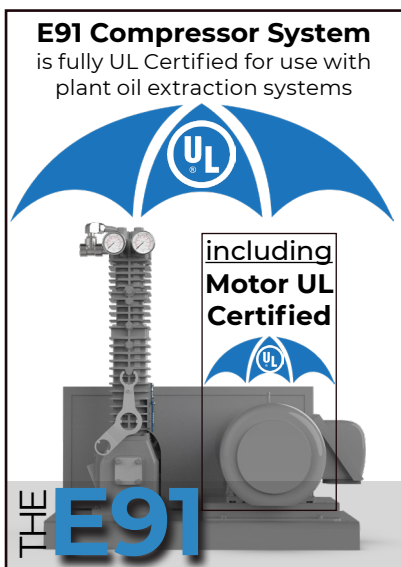
CORKEN®
Trusted Since 1924

UL Certified as Plant Oil Extraction
Compressor under standard UL
1861 "Outline of Investigation for
Power- Operated Chemical Pumps"

TRIPLE PACKED OIL-FREE COMPRESSION

SAFETY FACTORS

- **Triple packing** provides the safest and most reliable gas containment for **indoor** or **outdoor** use.
- **UL 1861** Full Compressor System Certified
- **cGMP** Certified



DON'T GAMBLE

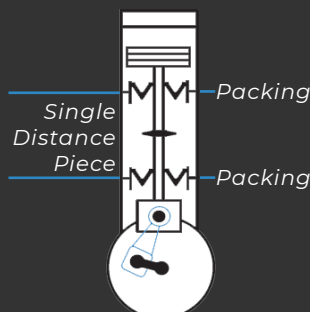
WITH CONVENTIONAL COMPRESSORS

Single Packing



Good for
Outdoor Use

Double Packing



Better for
Outdoor Use

“
THE **E91**TM triple-packed
compressor provides
the most reliable gas
leakage protection
for both **indoor and
outdoor** use.”

THE E91™

THE COMPRESSOR YOU CAN TRUST

The Corken E91 is the only fully **UL certified**[†] reciprocating gas compressor system engineered to define the rigorous safety and performance standards of indoor use within the plant oil extraction industry.



FASTER VAPOR RECOVERY^{††}

Reduces cycle times for additional product yield



FOOD GRADE MATERIAL USED

Viton®, PTFE, and nickel coated components



SELF-LUBRICATING

Triple PTFE seals provide leak protection and extended life.



QUIET OPERATION

Ideal for indoor use (~85 dba at 3 ft. range)



OIL-FREE GAS COMPRESSION

No oil contamination risk in the process gas stream



ADJUSTABLE PACKING SCREW

Extends useful life of the packings to minimize downtime



SELF CONTAINED

No air compressor or pneumatic driver required.



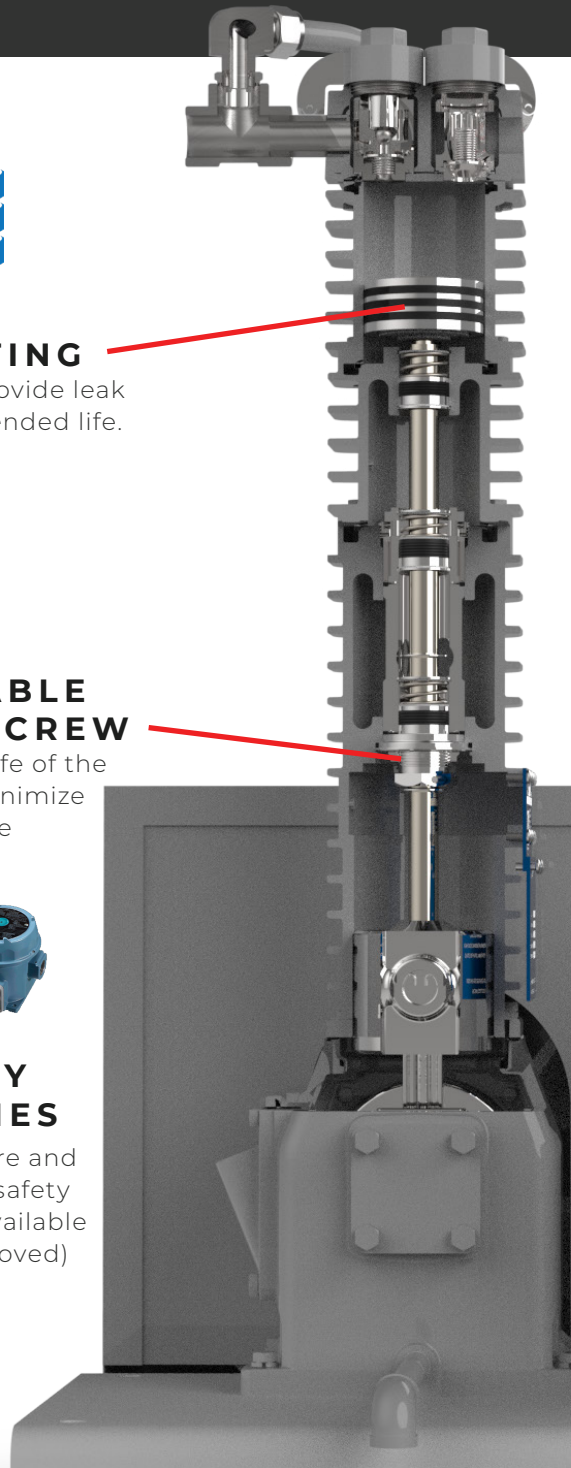
REGULATORY APPROVED

Setting the industry safety standard for the plant oil extraction industry



SAFETY SWITCHES

Power, pressure and temperature safety switches are available (UL/CSA approved)



Optional purge kit is also available per 07-01-06 U.S. Environmental Protection Agency Regulations 40 CFR CHSection 264.1053

[†] UL Certified on January 14, 2021 and remaining exclusively certified as of March 31, 2021

^{††} Compared to conventional industrial compressors

CERTIFICATE OF COMPLIANCE

Certificate Number: E518975
 Report Reference: E518975-20201222
 Date: 2021-January-14

Issued to: CORKEN INC. UNIT OF IDEX CORP
 9201 N I-35 Service Rd
 Oklahoma City OK, 73131 US

This is to certify that representative samples of PLANT OIL EXTRACTION COMPRESSORS AND PUMPS
 See Addendum Page for Product Designation(s).

Have been investigated by UL in accordance with the Standard(s) indicated on this Certificate.

Standard(s) for Safety: UL 1861, Outline of Investigation for Power-Operated Chemical Pumps

Additional Information: See the UL Online Certifications Directory at <https://iq.ulprospector.com> for additional information

This Certificate of Compliance does not provide authorization to apply the UL Mark. Only the UL Follow-Up Services Procedure provides authorization to apply the UL Mark.

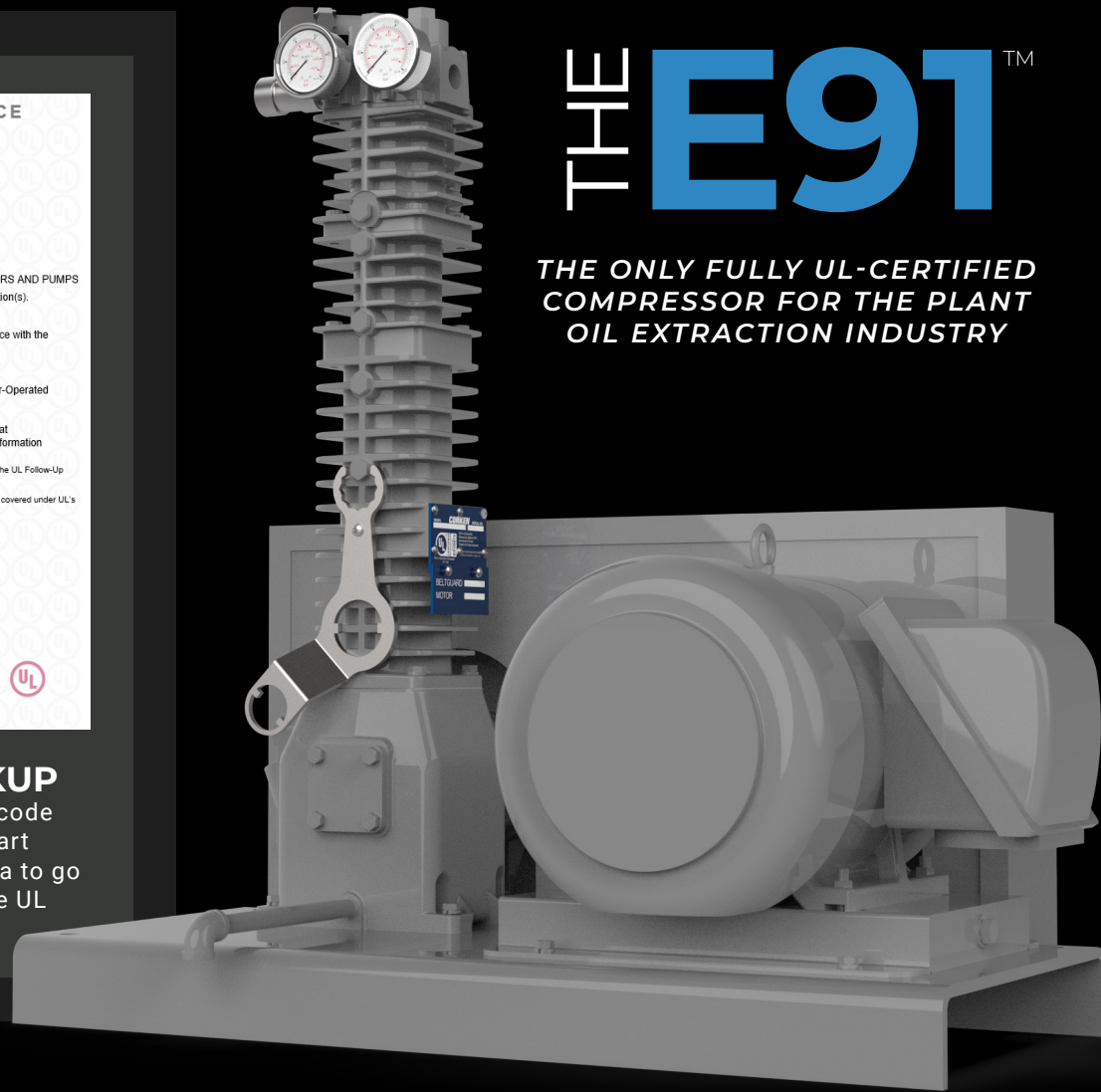
Only those products bearing the UL Mark should be considered as being UL Certified and covered under UL's Follow-Up Services.

Look for the UL Certification Mark on the product.

Bevalley
 Bruce Bevalley, Director North America Certification Program
 UL-USA
 Any information and documentation provided to UL, shall remain the property of UL, LLC (UL) or any authorized licensee of UL. For questions, please contact your local UL Customer Service Representative at customer.service@ul.com



UL LOOKUP
 Scan the QR code with your smart phone camera to go directly to the UL certification.



THE E91™

**THE ONLY FULLY UL-CERTIFIED
 COMPRESSOR FOR THE PLANT
 OIL EXTRACTION INDUSTRY**

OPERATING SPECIFICATIONS

BORE OF CYLINDER INCHES (MM)	3.0 (76.2)
STROKE INCHES (MM)	2.5 (63.5)
PISTON DISPLACEMENT CFM (M ³ /HR)	MINIMUM @ 400 RPM 4.1 (7.0) MAXIMUM @ 825 RPM 8.4 (14.3)
MAX WORKING PRESS. PSIG (BAR G)	335 (23.1)
MAX BRAKE HORSEPOWER (KW)	7.5 (5.6)
MAXIMUM ROD LOAD LB (KG)	3,600 (1632.9)
MAXIMUM OUTLET TEMP °F (°C)	350 (177)

PERFORMANCE DATA

COMPRESSOR SPEED RPM	700
VAPOR TEMPERATURE °F (°C)	70 (21.1)
FINAL EVAC. PRESSURE PSIG (BAR G)	0 (0)
AVG. RECOVERY RATE LB/HR*	BUTANE: 93 PROPANE: 240

*SUCTION PRESSURE CHANGES THROUGHOUT THE PROCESS. THE AVERAGE IS CALCULATED BETWEEN STARTING AND FINAL SUCTION PRESSURE.

THIS TABLE IS FOR ILLUSTRATIVE PURPOSES ONLY. PLEASE CONTACT CORKEN FOR CORRECT SIZING FOR YOUR APPLICATION.

CORKEN® Trusted Since 1924

ISO 9001:2015 Quality Management System Cert.: 10000403068-MSC-ANAB-USA by DNV
 ISO 14001:2015 Environmental Management System Cert.: 1000040363-MSC-ANAB-USA by DNV
 cGMP CERTIFICATE: 10000365130 by DNV



II 2G Ex h IIB TX Gb
 ACK#:13717-2018-CE-USA-PRE X
 Machinery Directive 2006/42/EC



Advanced Flow Solutions

9201 North I-35 Service Road,
 Oklahoma City, OK 73131 U.S.A.

Phone: (405) 946-5576

cocsalesdept@idexcorp.com

CORKEN.COM

† UL Certified on January 14, 2021 and remaining exclusively certified as of March 31, 2021