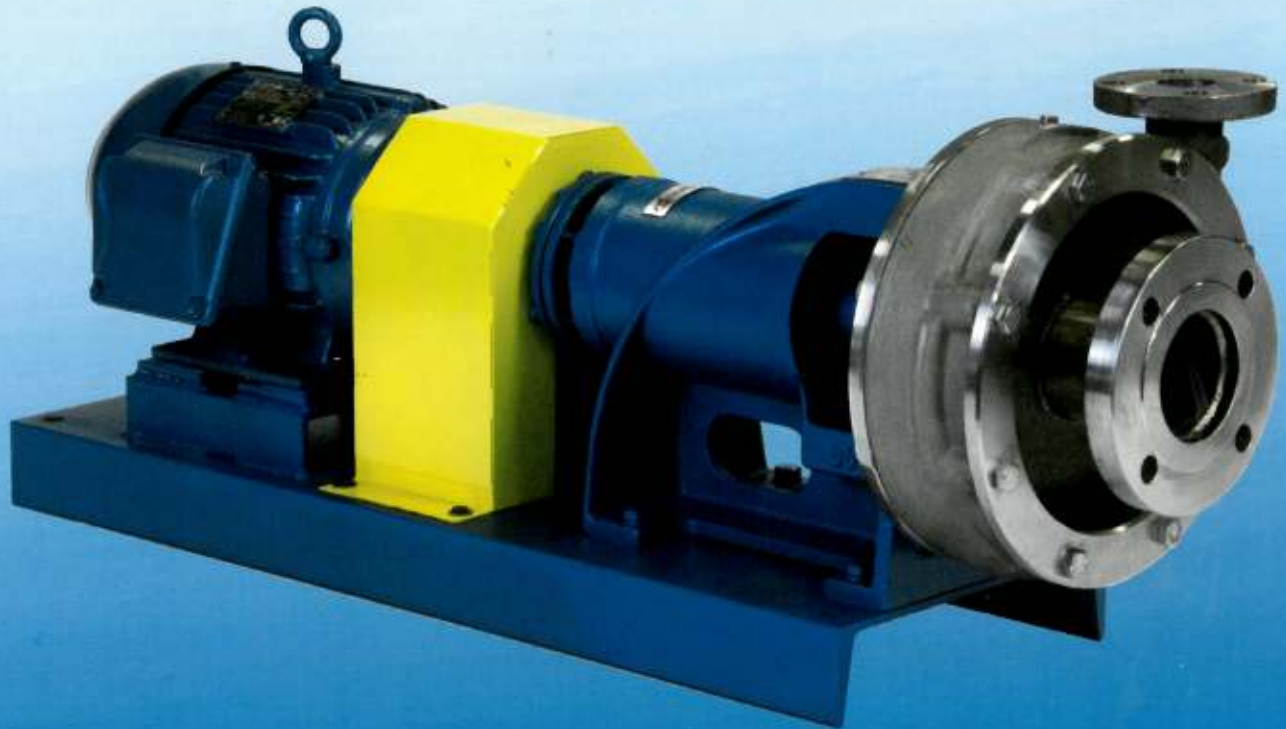




# 6050 Series

## Horizontal Back Pullout Centrifugal Pumps



Kerr Pump and Supply, established in 1905 and located in suburban Detroit, is the most respected name in process pumps. Our innovative, heavy duty, time proven design combines advanced hydraulic engineering with mechanical craftsmanship to meet a wide range of industrial applications. Each pump is engineered with the objective of performing on a continuous duty operation with the longest life and a minimum amount of maintenance. With domestically poured castings, in-house machining and assembly, we proudly place a "Made in America" label on all our Haynes Pumps.

Our Kerr/Haynes pumps handle the varied requirements of metal finishing, parts washing, and industrial chemical process industries. Outstanding quality features included in every pump contributes to longer pump life. Each component has a machined registered fit at all assembly points to assure positive alignment and vibration free service. Kerr/Haynes pumps are a sound investment in the best available technology – at no additional cost.

## 6050 Series Horizontal Back Pullout Centrifugal Pumps

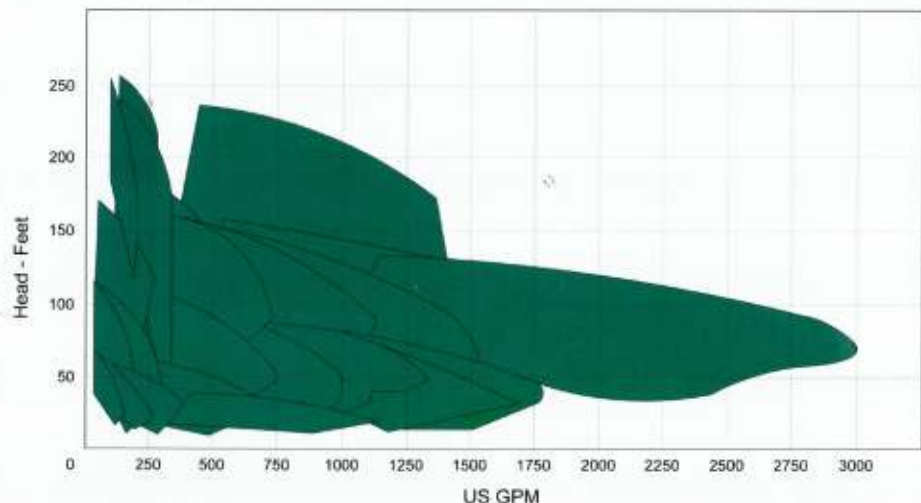
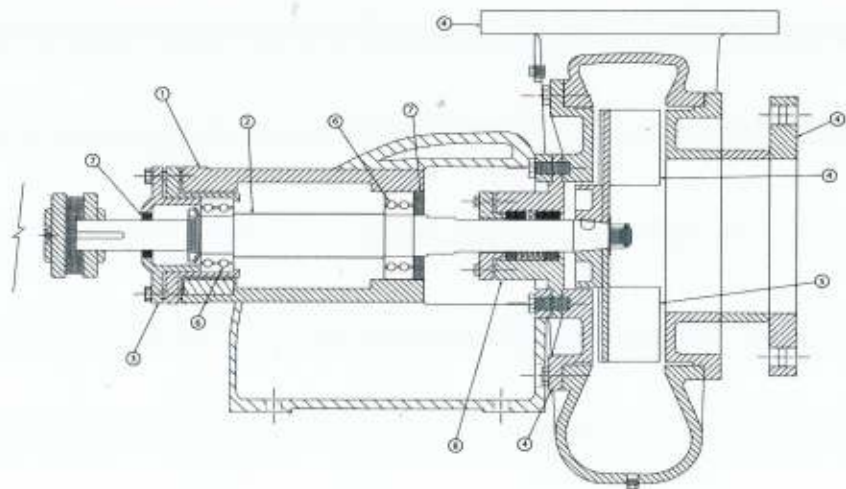
- 1 HEAVY DUTY CASTING**  
Precision machined
- 2 EXTRA HEAVY DUTY SHAFT**  
For minimum deflection
- 3 EXTERNAL IMPELLER ADJUSTMENT**
- 4 4-PIECE CASING**  
With machined fits
- 5 IMPELLER**  
Semi open - Keyed to shaft with precision taper fit
- 6 BEARINGS**  
Two heavy duty bearings – 1 double row "thrust" & single row "radial" designed for longer life
- 7 GREASE SEALS**  
To totally seal out foreign material
- 8 STUFFING BOX**  
Furnished as standard with packing & lantern ring. Same stuffing box will take single or double mechanical seals

### Features

- Sizes 1-1/2" to 8"
- Capacities 40 to 3,000 GPM
- Heads to 230'
- Materials: 316 s.s.  
Carpenter 20, and all iron

### Applications

- Spray Booths
- Filtration Systems
- Industrial Spray Washers
- Phosphate Systems
- Paint Systems
- Coolant Systems



**Haynes Pumps** a Division of Kerr Pump & Supply, Inc.

12880 Cloverdale, Oak Park, MI 48237

P: 248.543.3880    E: sales@kerrpump.com    kerrpump.com